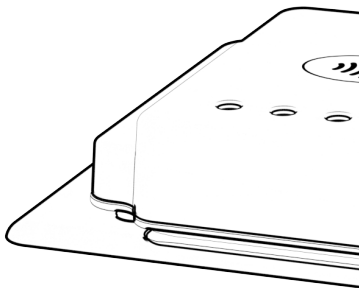
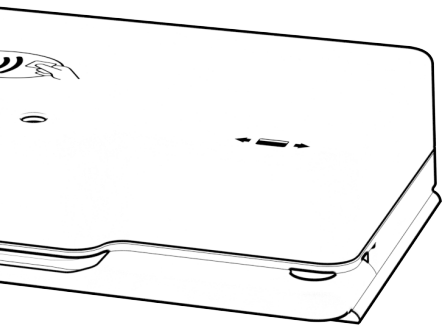


# **VP3300 BT CARTRIDGE**

# VP3300 BT



Rev A



CNX2-VP33



# CONTENTS

What's Included . . . . .	1
Assembly . . . . .	3
Disassembly . . . . .	13

# WHAT'S INCLUDED

**D:1**



Cartridge Screw  
4-40 x 1/2" (4)

**D:2**



Cartridge Bottom  
(1)

**D:3**



Cartridge Top  
(1)

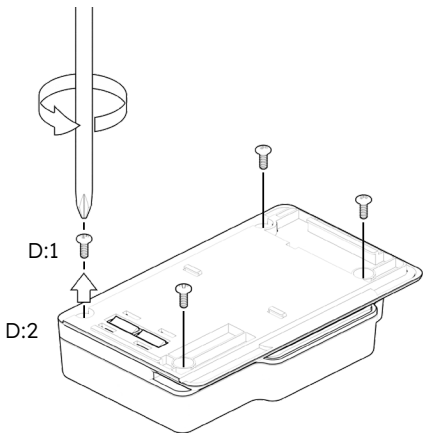


# **ASSEMBLY**



**1**

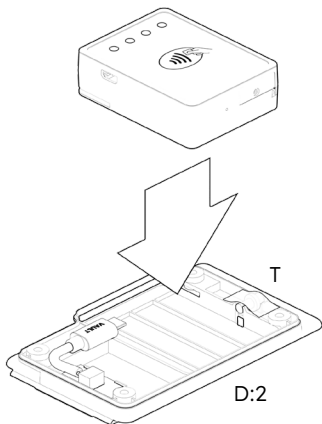
Remove the Screws (D:1) from the Cartridge Bottom (D:2).



# ASSEMBLY

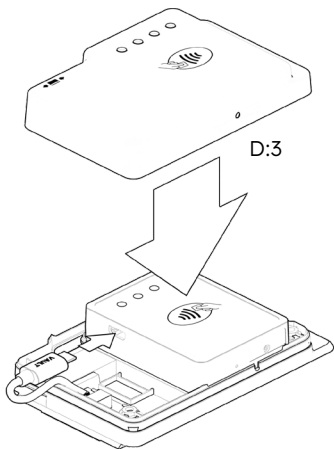
2

Open the Reader Cartridge. Place the VP3300 BT in the Cartridge Bottom (D:2). Remove tape (T) if applied.



**3**

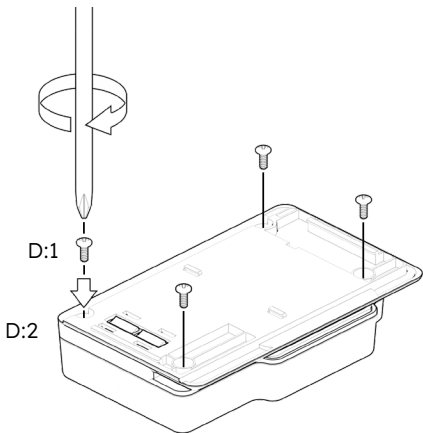
Plug the USB-C cable into the VP3300 BT. Place the Cartridge Top (D:3) back on.



# ASSEMBLY

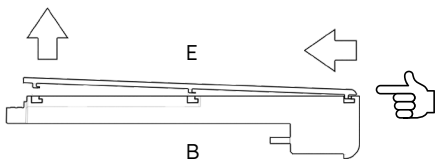
4

Tighten the Screws (D:1) into the Cartridge Bottom (D:2).



5

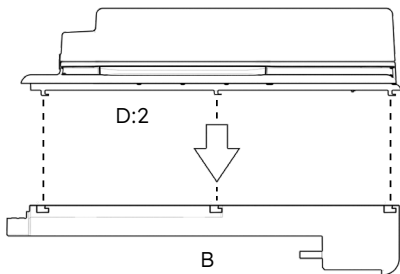
Push on the back of the NOCC plate while lifting the front to remove it from the Sled (B).



# ASSEMBLY

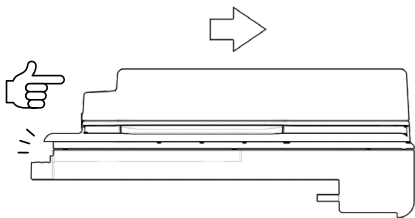
6

Place the feet of the Cartridge Bottom (D:2) straight down into the slots on the Sled (B) top.



7

Push on the front of the Reader Cartridge until you feel a click.



## Attention

To continue the assembly process, please refer to the Get Started instruction booklet.

## Attention





# DISASSEMBLY

## Attention

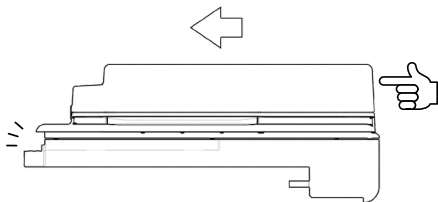
Please refer to the Get Started instruction booklet to begin disassembly.

## Attention

# DISASSEMBLY

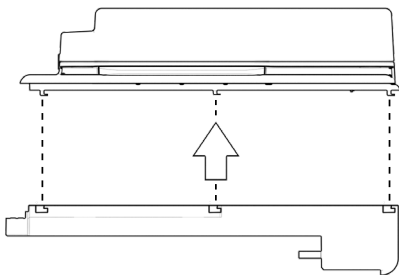
1

Push on the back of the Reader Cartridge until you feel a click.



2

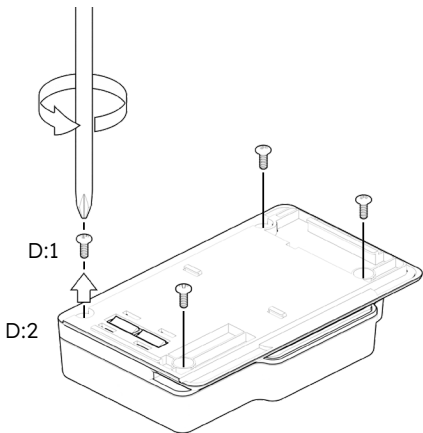
Pull the Reader Cartridge straight up to release.



# DISASSEMBLY

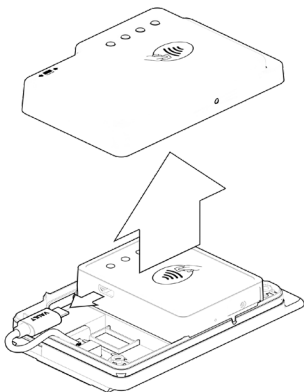
3

Remove the Screws (D:1) from the Cartridge Bottom (D:2).



4

Open the Reader Cartridge, unplug the VP3300 BT, and remove the card reader.



Disassembly Complete

