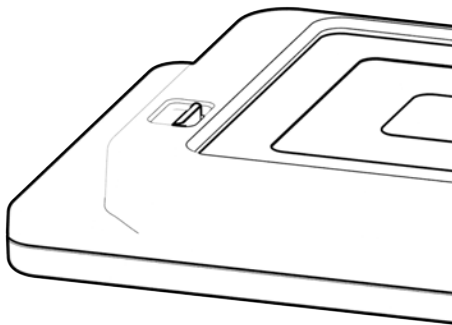


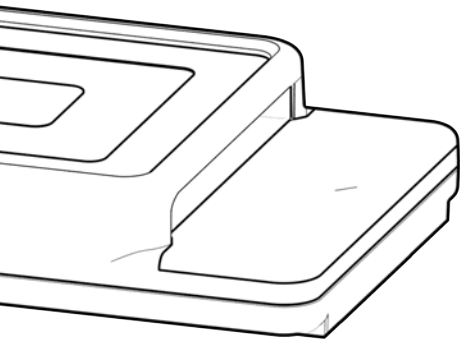
SQUARE CARTRIDGE

Assembly Instructions

SQUARE



Rev A



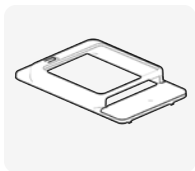
CNX2-SQ

CONTENTS

| | |
|---------------------------|----|
| What's Included | 1 |
| Assembly | 3 |
| Disassembly | 11 |

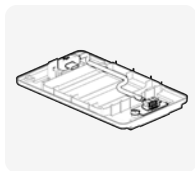
WHAT'S INCLUDED

D:1



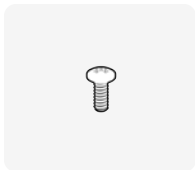
Cartridge Top
(1)

D:2



Cartridge Bottom
(1)

D:3

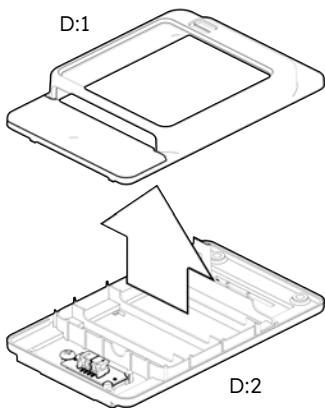


Cartridge Screw
(2)

ASSEMBLY

1

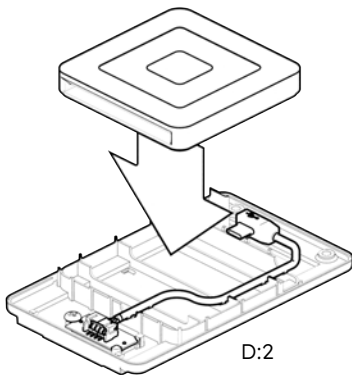
Remove the Cartridge Top (D:1)
from the Cartridge Bottom (D:2)



ASSEMBLY

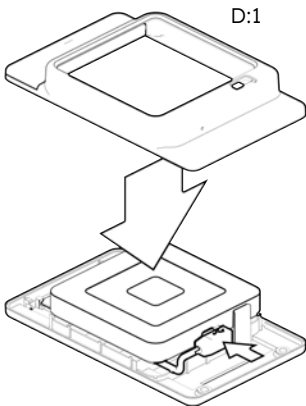
2

Lay the Cable into the channel of the Cartridge Bottom (D:2). Place the Card Reader on top.



3

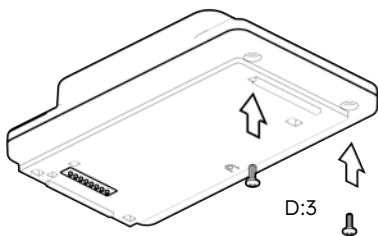
Plug the Cartridge cable into the Card Reader. Close the Cartridge Top (D:1).



ASSEMBLY

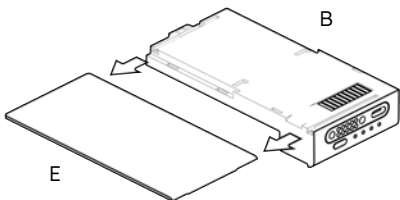
4

Use the two screws (D:3) to secure the Top and Bottom of the Cartridge together.



5

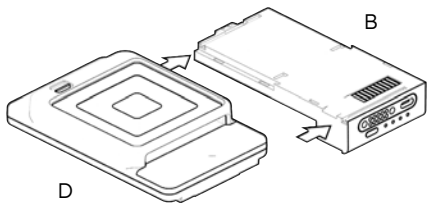
Slide the NOCC plate (E) to the side to remove it from the Core (B).



ASSEMBLY

6

Slide the feet of the Cartridge (D) into the slots on the Core (B) until it clicks.



Attention

To continue the assembly process, please refer to the Get Started instruction booklet.

Attention

DISASSEMBLY

Attention

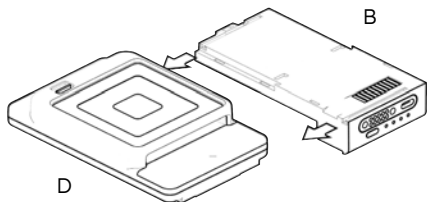
Please refer to the Get Started instruction booklet to begin disassembly.

Attention

DISASSEMBLY

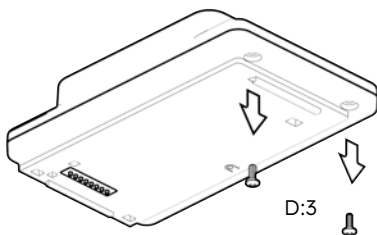
1

Slide the Cartridge (D) to the side to remove it from the Core (B).



2

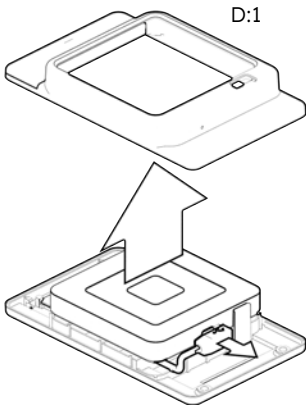
Unscrew the two screws (D:3) from the underside of the Cartridge.



DISASSEMBLY

3

Remove the Cartridge Top (D:1) from the Cartridge Bottom (D:2) and unplug the cable.



Disassembly Complete

