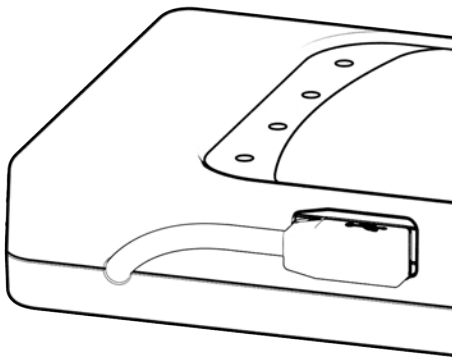


# **VP3350 CARTRIDGE**

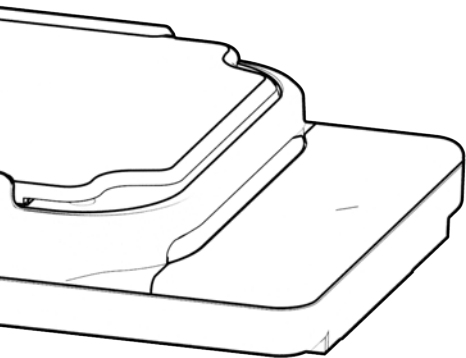
---

Assembly Instructions

# VP3350



Rev A



CNX2-VP3350

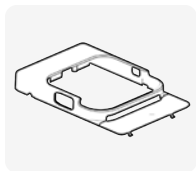


# CONTENTS

What's Included . . . . .	1
USB-C Assembly . . . . .	3
Bluetooth Assembly . . . . .	3
Disassembly . . . . .	9

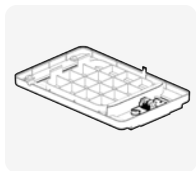
# WHAT'S INCLUDED

**D:1**



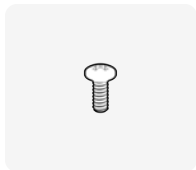
Cartridge Top  
(1)

**D:2**



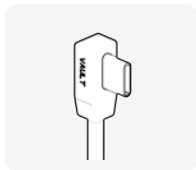
Cartridge Bottom  
(1)

**D:3**



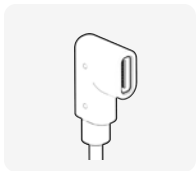
Cartridge Screw  
(2)

**D:4**



USB-C Male  
(1)

**D:5**



USB-C Female  
(1)

This Cartridge is compatible with two ID Tech VP3350 models. Each model uses a corresponding cable.



USB-C



USB-C Female  
Cable



Bluetooth



USB-C Male  
Cable

Please follow the assembly instructions associated with your corresponding unit.



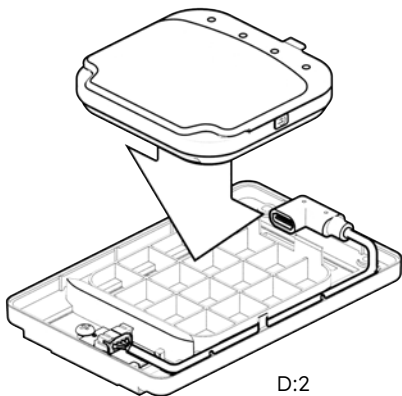


VP3350 USB-C

# ASSEMBLY

**1**

Lay the UCB-C Female cable into the Cartridge Base (D:2). Place the Card Reader on top.

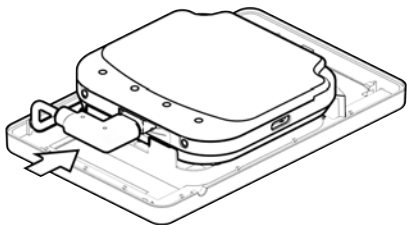


# ASSEMBLY

USB-C

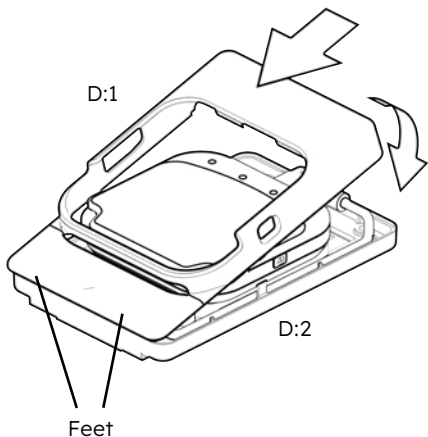
2

Plug the Card Reader USB-C head into the cable.



**3**

Fit the two Cartridge Top feet (D:1) under the Cartridge Bottom protrusions (D:2). Close the two Cartridge halves.

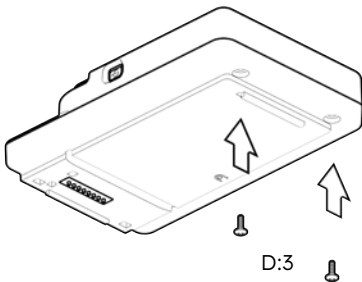


# ASSEMBLY

USB-C

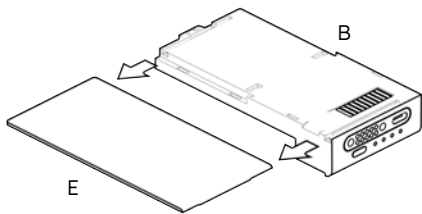
4

Use the two screws (D:3) to secure the Top and Bottom of the Cartridge together.



**5**

Slide the NOCC plate (E) to the side to remove it from the Core (B).

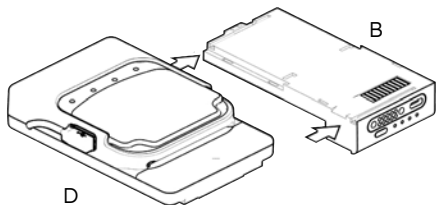


# ASSEMBLY

USB-C

6

Slide the feet of the Cartridge (D) into the slots on the Core (B) until it clicks.





## Attention

To continue the assembly process, please refer to the Get Started instruction booklet.

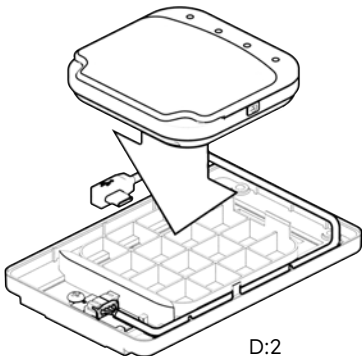
## Attention

VP3350 Bluetooth

# ASSEMBLY

**1**

Lay the UCB-C Male cable into the Cartridge Base (D:2). Place the Card Reader on top.

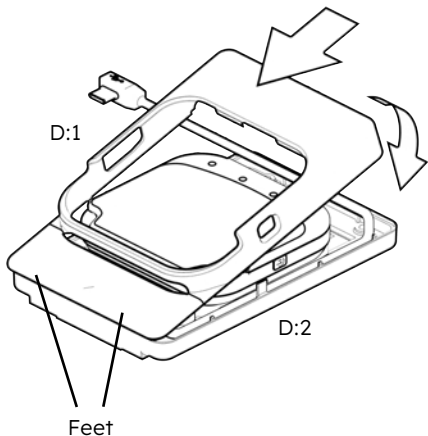


# ASSEMBLY

Bluetooth

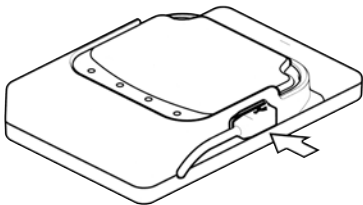
2

Fit the two Cartridge Top feet (D:1) under the Cartridge Bottom protrusions (D:2). Close the two Cartridge halves.



**3**

Plug the Card Reader USB-C head into the cable.

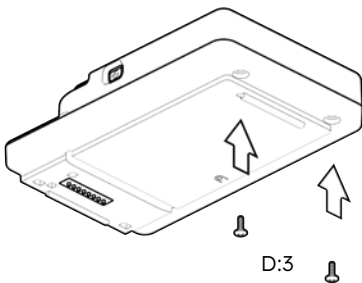


# ASSEMBLY

Bluetooth

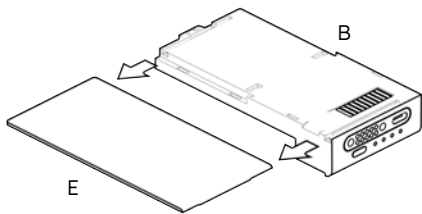
4

Use the two screws (D:3) to secure the Top and Bottom of the Cartridge together.



5

Slide the NOCC plate (E) to the side to remove it from the Core (B).

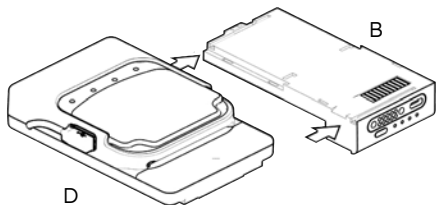


# ASSEMBLY

Bluetooth

6

Slide the feet of the Cartridge (D) into the slots on the Core (B) until it clicks.





## Attention

To continue the assembly process, please refer to the Get Started instruction booklet.

## Attention

# DISASSEMBLY

## Attention

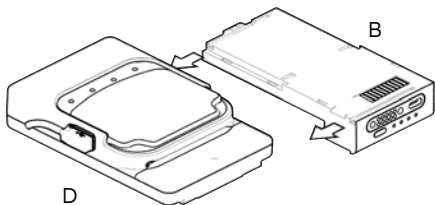
Please refer to the Get Started instruction booklet to begin disassembly.

## Attention

# DISASSEMBLY

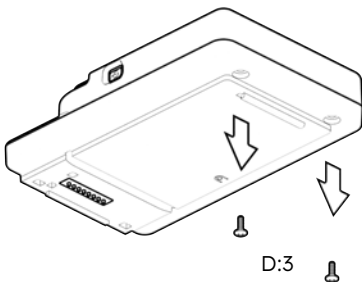
1

Slide the feet of the Cartridge (D) out of the slots on the Core (B) to release.



2

Slide the feet of the Cartridge (D:1) out of the slots on the Core (B) to release.

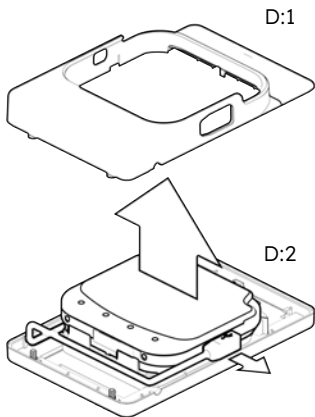


Disassembly Complete

# DISASSEMBLY

3

Remove the Cartridge Top (D:1) from the Cartridge Bottom (D:2) and unplug the cable.



Disassembly Complete



